

# Temperature – ATS Series

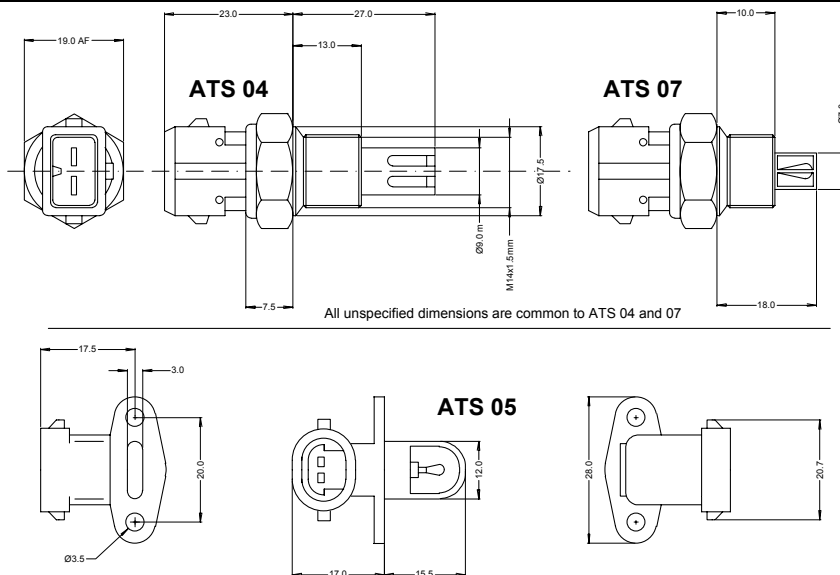
## NTC Weber Air Temperature Sensor



### Description

The ATS04 / 05 / 07 are analogue sensors with a temperature dependant resistor providing a variable resistance across the 2 contacts. Signal is negative temperature coefficient (NTC).

Active device is a thermistor fitted coated leads in a hermetically sealed brass / ABS housing.



Temperature °C	Resistance kΩ
-40	100.95
-30	53.1
-20	29.12
-10	16.6
0	9.75
10	5.97
20	3.75
25	3
30	2.42
40	1.6
50	1.08
60	0.75
70	0.53
80	0.38
90	0.28
100	0.2
110	0.15
125	0.1

### Technical Data

Resistance @ 25° C..... 3 kΩ  
 Accuracy from nominal values ..... 5% (W/°C)  
 .....@ -40 > +125 °C  
 Maximum operating voltage ..... 5 V (series)  
 Thread ..... M14 x 1.5  
 Seal ..... 19mm Hex  
 Weight ..... 26 g  
 Connector ..... Mini – Timer 2 way  
 Max tightening torque 07 / 04..... 24 Nm

### Ordering information

Part No.	Connector	Description	Order Code
ATS04	2 way minitimer	Air temperature sensor – long	21510020900
ATS07	2 way minitimer	Air temperature sensor – short	215810400101
ATS05	2 way Packard	Air temperature sensor – loop type	219244250500
CS12	2 way Packard	Connector kit for ATS05	

For further details please contact

MM Competition Systems Ltd  
 Hyjuniper, Long Lane  
 Shaw, Berkshire,  
 RG14 2TA  
 England

Tel: +44 (0)8707 444666  
 Fax: +44 (0)8707 444888  
 www.mmcompsys.com  
 mail@mmcompsys.com