

8STA Circular Miniature Connector size 02



FEATURES :

- Ultra Compact design & very light weight
- Rugged aluminium body to ensure long service life in the harshest environment.
- Environmental sealing from interfacial seal & rear grommet.
- Positive locking mechanism with locked colour indicators.
- 7 colours coded keyway orientations (N-A-B-C-D-E-U)
- Boot termination.
- PCB option available.
- Conductive black zinc plating.



TECHNICAL CHARACTERISTICS :

Mechanical characteristics.	(8STA 02-05)	(8STA 02-35)
Shell	Aluminium alloy	
Shell plating	Conductive black zinc	
Insulator	Thermoplastic	
Contact	Copper alloy	
Contact plating	Gold	
Endurance	500 mating / unmating operations	
Contact retention	Size 26 : 35N	Size 22D : 45 N

Electrical characteristics.

Wire size	24AWG – 30AWG	22AWG – 28AWG
Test voltage	400 Vrms	1000 Vrms
Contact resistance	<16mΩ	<14.6mΩ
Contact rating	3A	5A

Climatic characteristics.

Temperature range	-55°C to +175°C
Water immersion	IP 67
Salt spray	48 hours

Resistance to fluids

Lubricant (oil)	Motul 300 competition
Unleaded petrol	SP 95
Motor car brake fluid	Lockheed DOT5

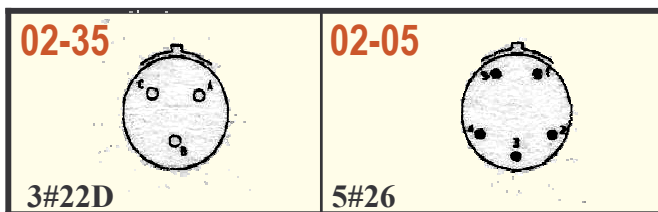
8STA Circular Miniature Connector size 02



Ordering information :

Basic serie :	8STA	0	02	05	P	N
Shell style :	<ul style="list-style-type: none"> 0 : Oval Flange receptacle. 1 : In line receptacle 2 : Oval flange receptacle with PCB contact 6 : Plug 					
Shell size :	02					
Contact layout :	see table below					
Type of contact :	<ul style="list-style-type: none"> P : Pin S : Socket 					
Orientation :	N : Red – A : Yellow – B : Blue – C : Orange – D : Green – E : Grey – U : Universal					

Contact layout available :

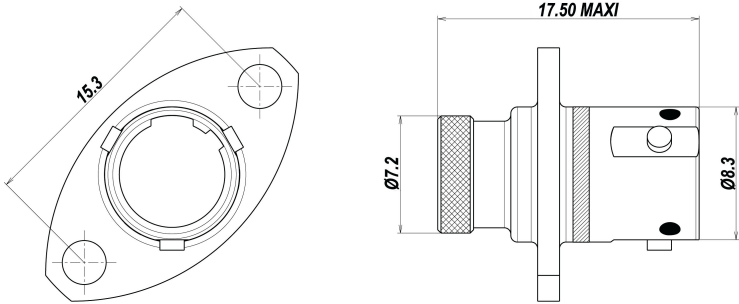


8STA Circular Miniature Connector size 02

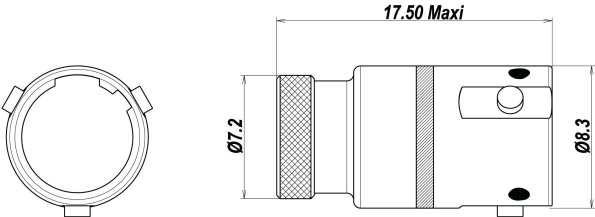


Dimensions :

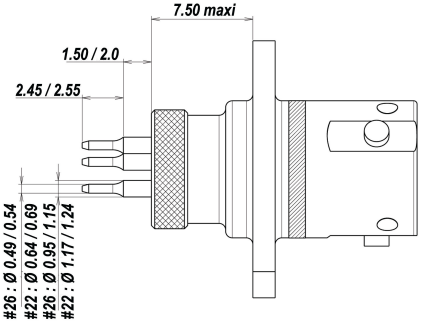
Type 0 (Oval Flange receptacle)



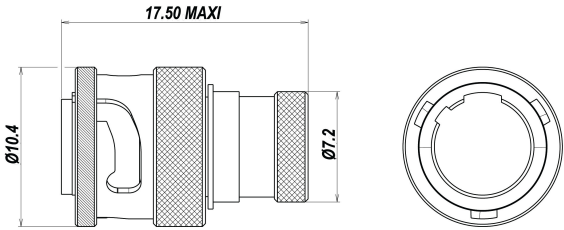
Type 1 (In line receptacle)



Type 2 (Oval Flange receptacle with PCB contacts)



Type 6 (Plug)



8STA Circular Miniature Connector size 02



Souriau part numbers for protective caps :

8STA802 for plug & 8STA902 for receptacle

Crimp contacts :

Contact size	Contact type	Contact Dia	Part number
26	Male	0.50	8599 1001
	Female		8599 1002
22D	Male	0.76	8599 0702 JJ
	Female		8599 0710 900

Crimping tool :

Contact size	Wire size	Type	Locator PN	Tool part number
26	24 to 30	Male	640 088	M22520/2-01
		Female	640 089	
22D	22 to 28	Male	8476 09	
		Female	8476 06	

Extraction tool :

Contact size	Souriau P/N
26	8599-1006 (Metallic tool)
22D	M81969/14-01 (Plastic tool)

Panel cut out :

	$\text{ØA} \pm 0.10$	9.30
	$B \pm 0.20$	15.30
	$C \pm 0.20$	3.10

Shrinkable termination detail :

	Shell size	ØA	$\text{ØB} \pm 0.05$	$C \pm 0.05$	$D \pm 0.05$
	02	7.2	6.55	2.2	2.3